

SA's Leading Past Year

Exam Paper Portal



You have Downloaded, yet Another Great Resource to assist you with your Studies 😊

Thank You for Supporting SA Exam Papers

Your Leading Past Year Exam Paper Resource Portal

Visit us @ www.saexampapers.co.za



**SA EXAM
PAPERS**
SA EXAM
PAPERS



**JUNE EXAMINATION
GRADE 12
2024**

**ENGINEERING GRAPHICS AND DESIGN
PAPER 2
2024**

INSTRUCTIONS AND INFORMATION

1. This question paper consists of THREE questions.
2. Answer ALL the questions.
3. ALL drawings are in third-angle orthographic projection, unless otherwise stated.
4. ALL drawings must be prepared using pencil and instruments, unless otherwise stated.
5. ALL answers must be drawn accurately and neatly.
6. ALL the questions must be answered on the QUESTION PAPER, as instructed.
7. ALL the pages, irrespective of whether the question was attempted or not, must be re-stapled in numerical sequence in the TOP LEFT-HAND CORNER ONLY.
8. Time management is essential in order to complete all the questions.
9. Print your surname and name in the given block provided on every page.
10. Any details or dimensions not given must be assumed in good proportion.

| FOR OFFICIAL USE ONLY | | | | | | | | | |
|-----------------------|----------------|-----|------|--------------|-----|------|--------------|-----|------|
| QUESTION | MARKS OBTAINED | 1/3 | SIGN | MODERATED | 1/3 | SIGN | RE-MARKING | 1/3 | SIGN |
| 1 | | | | | | | | | |
| 2 | | | | | | | | | |
| 3 | | | | | | | | | |
| TOTAL | 1 6 0 | | | 1 6 0 | | | 1 6 0 | | |

TIME: 2 1/2 hours
MARKS: 100

ENGINEERING GRAPHICS & DESIGN P2



C2772E

| | |
|----------------------|------------|
| FINAL CONVERTED MARK | CHECKED BY |
| 100 | |

This question paper consists of 5 pages.

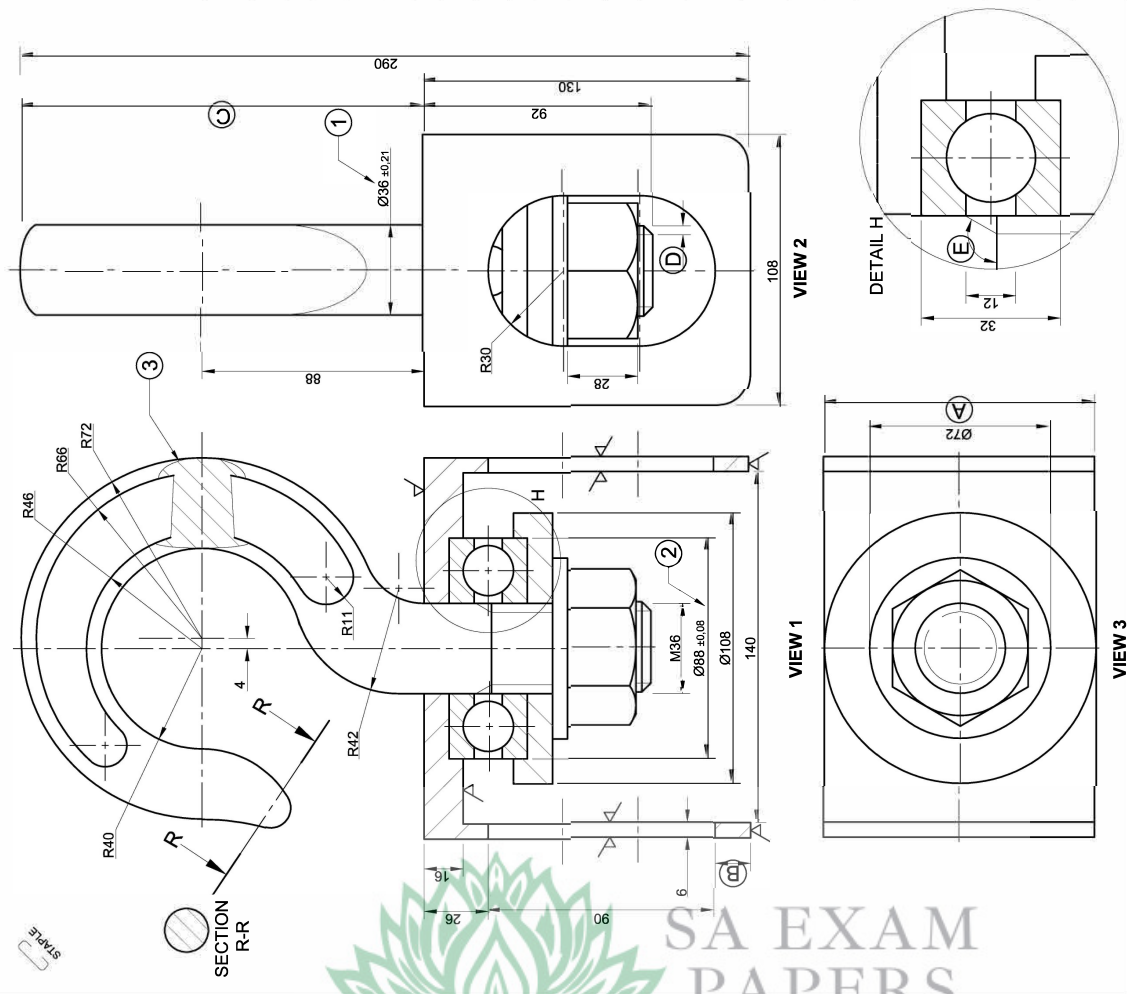
X05



| |
|--------------------------------|
| COMPLETE THE FOLLOWING: |
| SCHOOL'S NAME |
| SCHOOL'S NAME |
| SURNAME AND NAME |
| SURNAME AND NAME |

DO NOT FOLD THE QUESTION PAPER IN HALF.

Please turn over



QUESTION 1: ANALYTICAL (MECHANICAL)

Given:
Three views of a swivel hook assembly, a detailed enlargement, a title block and a table of questions. The drawings are not presented to the indicated scale.

Instructions:
Complete the table below by neatly answering the questions, which refer to the accompanying drawings, the title block and mechanical content, in pencil. [30]

| QUESTIONS | | ANSWERS | |
|--------------|---|---|-----------|
| 1 | What is the file name of the drawing? | | 1 |
| 2 | How many swivel hooks must be manufactured? | | 1 |
| 3 | What is the manufacturer's website address? | | 1 |
| 4 | What must all unspecified radii be? | | 1 |
| 5 | What heat treatment must be applied? | | 1 |
| 6 | What drawing method was used to prepare the drawing? | | 1 |
| 7 | What scale is indicated for the drawing? | | 1 |
| 8 | Who checked the drawing? | | 1 |
| 9 | What was changed in the second revision? | A: B: C: D: | 1 |
| 10 | Determine the complete dimensions at: A: B: C: D: | | 5 |
| 11 | What is the size of angle at E? | | 1 |
| 12 | What is VIEW 3 called? | | 1 |
| 13 | With reference to the tolerance, determine the complete maximum dimension at 1. (show all calculations) | | 2 |
| 14 | With reference to the tolerance, determine the complete minimum dimension at 2. (show all calculations) | | 2 |
| 15 | How many surfaces of the swivel hook assembly must be machined? | | 1 |
| 16 | What type of section is indicated at 3? | | 1 |
| 17 | What type of section is indicated by SECTION R-R? | | 1 |
| 18 | With reference to the welding symbol below (QUESTION 18), match the letter on the welding symbol with the correct label in the column to the right of this question. | WELD PROCESS | 1 |
| | | WELD LENGTH | 1 |
| | | CONTOUR SYMBOL | 1 |
| | | SITE-WELD | 1 |
| 19 | In the space below (ANSWER 19), use the given centre line as the centre of the bearing and draw, in neat freehand, the SANS 10111 conventional representation of a bearing. | | 3 |
| TOTAL | | ANSWER 19: CONVENTION OF A BEARING | 30 |

QUESTION 18: WELDING SYMBOL

ANSWER 19: CONVENTION OF A BEARING

ANSWER 19: CONVENTION OF A BEARING

| ADD MORE DIMENSIONS | INSET BALL BEARING | USE STANDARD SCREW THREAD | REVISION DESCRIPTION | No. |
|---------------------|--------------------|---------------------------|----------------------|-----|
| 3 | | | | |
| | | | | |
| | | | | |

QUESTION 19: CONVENTION OF A BEARING

| ADD MORE DIMENSIONS | INSET BALL BEARING | USE STANDARD SCREW THREAD | REVISION DESCRIPTION | No. |
|---------------------|--------------------|---------------------------|----------------------|-----|
| 3 | | | | |
| | | | | |
| | | | | |

QUESTION 19: CONVENTION OF A BEARING

| ADD MORE DIMENSIONS | INSET BALL BEARING | USE STANDARD SCREW THREAD | REVISION DESCRIPTION | No. |
|---------------------|--------------------|---------------------------|----------------------|-----|
| 3 | | | | |
| | | | | |
| | | | | |

QUESTION 19: CONVENTION OF A BEARING

| ADD MORE DIMENSIONS | INSET BALL BEARING | USE STANDARD SCREW THREAD | REVISION DESCRIPTION | No. |
|---------------------|--------------------|---------------------------|----------------------|-----|
| 3 | | | | |
| | | | | |
| | | | | |

QUESTION 19: CONVENTION OF A BEARING

| ADD MORE DIMENSIONS | INSET BALL BEARING | USE STANDARD SCREW THREAD | REVISION DESCRIPTION | No. |
|---------------------|--------------------|---------------------------|----------------------|-----|
| 3 | | | | |
| | | | | |
| | | | | |

QUESTION 19: CONVENTION OF A BEARING

| ADD MORE DIMENSIONS | INSET BALL BEARING | USE STANDARD SCREW THREAD | REVISION DESCRIPTION | No. |
|---------------------|--------------------|---------------------------|----------------------|-----|
| 3 | | | | |
| | | | | |
| | | | | |

QUESTION 19: CONVENTION OF A BEARING

| ADD MORE DIMENSIONS | INSET BALL BEARING | USE STANDARD SCREW THREAD | REVISION DESCRIPTION | No. |
|---------------------|--------------------|---------------------------|----------------------|-----|
| 3 | | | | |
| | | | | |
| | | | | |

QUESTION 19: CONVENTION OF A BEARING

| ADD MORE DIMENSIONS | INSET BALL BEARING | USE STANDARD SCREW THREAD | REVISION DESCRIPTION | No. |
|---------------------|--------------------|---------------------------|----------------------|-----|
| 3 | | | | |
| | | | | |
| | | | | |

QUESTION 19: CONVENTION OF A BEARING

| ADD MORE DIMENSIONS | INSET BALL BEARING | USE STANDARD SCREW THREAD | REVISION DESCRIPTION | No. |
|---------------------|--------------------|---------------------------|----------------------|-----|
| 3 | | | | |
| | | | | |
| | | | | |

QUESTION 19: CONVENTION OF A BEARING

| ADD MORE DIMENSIONS | INSET BALL BEARING | USE STANDARD SCREW THREAD | REVISION DESCRIPTION | No. |
|---------------------|--------------------|---------------------------|----------------------|-----|
| 3 | | | | |
| | | | | |
| | | | | |

QUESTION 19: CONVENTION OF A BEARING

| ADD MORE DIMENSIONS | INSET BALL BEARING | USE STANDARD SCREW THREAD | REVISION DESCRIPTION | No. |
|---------------------|--------------------|---------------------------|----------------------|-----|
| 3 | | | | |
| | | | | |
| | | | | |

QUESTION 19: CONVENTION OF A BEARING

| ADD MORE DIMENSIONS | INSET BALL BEARING | USE STANDARD SCREW THREAD | REVISION DESCRIPTION | No. |
|---------------------|--------------------|---------------------------|----------------------|-----|
| 3 | | | | |
| | | | | |
| | | | | |

QUESTION 19: CONVENTION OF A BEARING

| ADD MORE DIMENSIONS | INSET BALL BEARING | USE STANDARD SCREW THREAD | REVISION DESCRIPTION | No. |
|---------------------|--------------------|---------------------------|----------------------|-----|
| 3 | | | | |
| | | | | |
| | | | | |

QUESTION 19: CONVENTION OF A BEARING

| ADD MORE DIMENSIONS | INSET BALL BEARING | USE STANDARD SCREW THREAD | REVISION DESCRIPTION | No. |
|---------------------|--------------------|---------------------------|----------------------|-----|
| 3 | | | | |
| | | | | |
| | | | | |

QUESTION 19: CONVENTION OF A BEARING

| ADD MORE DIMENSIONS | INSET BALL BEARING | USE STANDARD SCREW THREAD | REVISION DESCRIPTION | No. |
|---------------------|--------------------|---------------------------|----------------------|-----|
| 3 | | | | |
| | | | | |
| | | | | |

QUESTION 19: CONVENTION OF A BEARING

| ADD MORE DIMENSIONS | INSET BALL BEARING | USE STANDARD SCREW THREAD | REVISION DESCRIPTION | No. |
|---------------------|--------------------|---------------------------|----------------------|-----|
| 3 | | | | |
| | | | | |
| | | | | |

QUESTION 19: CONVENTION OF A BEARING

| ADD MORE DIMENSIONS | INSET BALL BEARING | USE STANDARD SCREW THREAD | REVISION DESCRIPTION | No. |
|---------------------|--------------------|---------------------------|----------------------|-----|
| 3 | | | | |
| | | | | |
| | | | | |

QUESTION 19: CONVENTION OF A BEARING

| ADD MORE DIMENSIONS | INSET BALL BEARING | USE STANDARD SCREW THREAD | REVISION DESCRIPTION | No. |
|---------------------|--------------------|---------------------------|----------------------|-----|
| 3 | | | | |
| | | | | |
| | | | | |

QUESTION 19: CONVENTION OF A BEARING

| ADD MORE DIMENSIONS | INSET BALL BEARING | USE STANDARD SCREW THREAD | REVISION DESCRIPTION | No. |
|---------------------|--------------------|---------------------------|----------------------|-----|
| 3 | | | | |
| | | | | |
| | | | | |

QUESTION 19: CONVENTION OF A BEARING

| ADD MORE DIMENSIONS | INSET BALL BEARING | USE STANDARD SCREW THREAD | REVISION DESCRIPTION | No. |
|---------------------|--------------------|---------------------------|----------------------|-----|
| 3 | | | | |
| | | | | |
| | | | | |

QUESTION 19: CONVENTION OF A BEARING

| ADD MORE DIMENSIONS | INSET BALL BEARING | USE STANDARD SCREW THREAD | REVISION DESCRIPTION | No. |
|---------------------|--------------------|---------------------------|----------------------|-----|
| 3 | | | | |
| | | | | |
| | | | | |

QUESTION 19: CONVENTION OF A BEARING

| ADD MORE DIMENSIONS | INSET BALL BEARING | USE STANDARD SCREW THREAD | REVISION DESCRIPTION | No. |
|---------------------|--------------------|---------------------------|----------------------|-----|
| 3 | | | | |
| | | | | |
| | | | | |

QUESTION 19: CONVENTION OF A BEARING

| ADD MORE DIMENSIONS | INSET BALL BEARING | USE STANDARD SCREW THREAD | REVISION DESCRIPTION | No. |
|---------------------|--------------------|---------------------------|----------------------|-----|
| 3 | | | | |
| | | | | |
| | | | | |

QUESTION 19: CONVENTION OF A BEARING

| ADD MORE DIMENSIONS | INSET BALL BEARING | USE STANDARD SCREW THREAD | REVISION DESCRIPTION | No. |
|---------------------|--------------------|---------------------------|----------------------|-----|
| 3 | | | | |
| | | | | |
| | | | | |

QUESTION 19: CONVENTION OF A BEARING

| ADD MORE DIMENSIONS | INSET BALL BEARING | USE STANDARD SCREW THREAD | REVISION DESCRIPTION | No. |
|---------------------|--------------------|---------------------------|----------------------|-----|
| 3 | | | | |
| | | | | |
| | | | | |

QUESTION 19: CONVENTION OF A BEARING

| ADD MORE DIMENSIONS | INSET BALL BEARING | USE STANDARD SCREW THREAD | REVISION DESCRIPTION | No. |
|---------------------|--------------------|---------------------------|----------------------|-----|
| 3 | | | | |
| | | | | |
| | | | | |

QUESTION 19: CONVENTION OF A BEARING

| ADD MORE DIMENSIONS | INSET BALL BEARING | USE STANDARD SCREW THREAD | REVISION DESCRIPTION | No. |
|---------------------|--------------------|---------------------------|----------------------|-----|
| 3 | | | | |
| | | | | |
| | | | | |

QUESTION 19: CONVENTION OF A BEARING

| ADD MORE DIMENSIONS | INSET BALL BEARING | USE STANDARD SCREW THREAD | REVISION DESCRIPTION | No. |
|---------------------|--------------------|---------------------------|----------------------|-----|
| 3 | | | | |
| | | | | |
| | | | | |

QUESTION 19: CONVENTION OF A BEARING

| ADD MORE DIMENSIONS | INSET BALL BEARING | USE STANDARD SCREW THREAD | REVISION DESCRIPTION | No. |
|---------------------|--------------------|---------------------------|----------------------|-----|
| 3 | | | | |
| | | | | |
| | | | | |

QUESTION 19: CONVENTION OF A BEARING

| ADD MORE DIMENSIONS | INSET BALL BEARING | USE STANDARD SCREW THREAD | REVISION DESCRIPTION | No. |
|---------------------|--------------------|---------------------------|----------------------|-----|
| 3 | | | | |
| | | | | |
| | | | | |

QUESTION 19: CONVENTION OF A BEARING

| ADD MORE DIMENSIONS | INSET BALL BEARING | USE STANDARD SCREW THREAD | REVISION DESCRIPTION | No. |
|---------------------|--------------------|---------------------------|----------------------|-----|
| 3 | | | | |
| | | | | |
| | | | | |

QUESTION 19: CONVENTION OF A BEARING

| ADD MORE DIMENSIONS | INSET BALL BEARING | USE STANDARD SCREW THREAD | REVISION DESCRIPTION | No. |
|---------------------|--------------------|---------------------------|----------------------|-----|
| 3 | | | | |
| | | | | |
| | | | | |

QUESTION 19: CONVENTION OF A BEARING

| ADD MORE DIMENSIONS | INSET BALL BEARING | USE STANDARD SCREW THREAD | REVISION DESCRIPTION | No. |
|---------------------|--------------------|---------------------------|----------------------|-----|
| 3 | | | | |
| | | | | |
| | | | | |

QUESTION 19: CONVENTION OF A BEARING

| ADD MORE DIMENSIONS | INSET BALL BEARING | USE STANDARD SCREW THREAD | REVISION DESCRIPTION | No. |
|---------------------|--------------------|---------------------------|----------------------|-----|
| 3 | | | | |
| | | | | |
| | | | | |

QUESTION 19: CONVENTION OF A BEARING

| ADD MORE DIMENSIONS | INSET BALL BEARING | USE STANDARD SCREW THREAD | REVISION DESCRIPTION | No. |
|---------------------|--------------------|---------------------------|----------------------|-----|
| 3 | | | | |
| | | | | |
| | | | | |

QUESTION 19: CONVENTION OF A BEARING

| ADD MORE DIMENSIONS | INSET BALL BEARING | USE STANDARD SCREW THREAD | REVISION DESCRIPTION | No. |
|---------------------|--------------------|---------------------------|----------------------|-----|
| 3 | | | | |
| | | | | |
| | | | | |

QUESTION 19: CONVENTION OF A BEARING

| ADD MORE DIMENSIONS | INSET BALL BEARING | USE STANDARD SCREW THREAD | REVISION DESCRIPTION | No. |
|---------------------|--------------------|---------------------------|----------------------|-----|
| 3 | | | | |
| | | | | |
| | | | | |

QUESTION 19: CONVENTION OF A BEARING

| ADD MORE DIMENSIONS | INSET BALL BEARING | USE STANDARD SCREW THREAD | REVISION DESCRIPTION | No. |
|---------------------|--------------------|---------------------------|----------------------|-----|
| 3 | | | | |
| | | | | |
| | | | | |

QUESTION 19: CONVENTION OF A BEARING

| ADD MORE DIMENSIONS | INSET BALL BEARING | USE STANDARD SCREW THREAD | REVISION DESCRIPTION | No. |
|---------------------|--------------------|---------------------------|----------------------|-----|
| 3 | | | | |
| | | | | |
| | | | | |

QUESTION 19: CONVENTION OF A BEARING

| ADD MORE DIMENSIONS | INSET BALL BEARING | USE STANDARD SCREW THREAD | REVISION DESCRIPTION | No. |
|---------------------|--------------------|---------------------------|----------------------|-----|
| 3 | | | | |
| | | | | |
| | | | | |

QUESTION 19: CONVENTION OF A BEARING

| ADD MORE DIMENSIONS | INSET BALL BEARING | USE STANDARD SCREW THREAD | REVISION DESCRIPTION | No. |
|---------------------|--------------------|---------------------------|----------------------|-----|
| 3 | | | | |
| | | | | |
| | | | | |

QUESTION 19: CONVENTION OF A BEARING

| ADD MORE DIMENSIONS | INSET BALL BEARING | USE STANDARD SCREW THREAD | REVISION DESCRIPTION | No. |
|---------------------|--------------------|---------------------------|----------------------|-----|
| 3 | | | | |
| | | | | |
| | | | | |

QUESTION 19: CONVENTION OF A BEARING

| ADD MORE DIMENSIONS | INSET BALL BEARING | USE STANDARD SCREW THREAD | REVISION DESCRIPTION | No. |
|---------------------|--------------------|---------------------------|----------------------|-----|
| 3 | | | | |
| | | | | |
| | | | | |

QUESTION 19: CONVENTION OF A BEARING

| ADD MORE DIMENSIONS | INSET BALL BEARING | USE STANDARD SCREW THREAD | REVISION DESCRIPTION | No. |
|---------------------|--------------------|---------------------------|----------------------|-----|
| 3 | | | | |
| | | | | |
| | | | | |

QUESTION 19: CONVENTION OF A BEARING

| ADD MORE DIMENSIONS | INSET BALL BEARING | USE STANDARD SCREW THREAD | REVISION DESCRIPTION | No. |
|---------------------|--------------------|---------------------------|----------------------|-----|
| 3 | | | | |
| | | | | |
| | | | | |

QUESTION 19: CONVENTION OF A BEARING

| ADD MORE DIMENSIONS | INSET BALL BEARING | USE STANDARD SCREW THREAD | REVISION DESCRIPTION | No. |
|---------------------|--------------------|---------------------------|----------------------|-----|
| 3 | | | | |
| | | | | |
| | | | | |

QUESTION 19: CONVENTION OF A BEARING

| ADD MORE DIMENSIONS | INSET BALL BEARING | USE STANDARD SCREW THREAD | REVISION DESCRIPTION | No. |
|---------------------|--------------------|---------------------------|----------------------|-----|
| 3 | | | | |
| | | | | |
| | | | | |

QUESTION 19: CONVENTION OF A BEARING

| ADD MORE DIMENSIONS | INSET BALL BEARING | USE STANDARD SCREW THREAD | REVISION DESCRIPTION | No. |
|---------------------|--------------------|---------------------------|----------------------|-----|
| 3 | | | | |
| | | | | |
| | | | | |

QUESTION 19: CONVENTION OF A BEARING

| ADD MORE DIMENSIONS | INSET BALL BEARING | USE STANDARD SCREW THREAD | REVISION DESCRIPTION | No. |
|---------------------|--------------------|---------------------------|----------------------|-----|
| 3 | | | | |
| | | | | |
| | | | | |

QUESTION 19: CONVENTION OF A BEARING

| ADD MORE DIMENSIONS | INSET BALL BEARING | USE STANDARD SCREW THREAD | REVISION DESCRIPTION | No. |
|---------------------|--------------------|---------------------------|----------------------|-----|
| 3 | | | | |
| | | | | |
| | | | | |

QUESTION 19: CONVENTION OF A BEARING

| ADD MORE DIMENSIONS | INSET BALL BEARING | USE STANDARD SCREW THREAD | REVISION DESCRIPTION | No. |
|---------------------|--------------------|---------------------------|----------------------|-----|
| 3 | | | | |
| | | | | |
| | | | | |

QUESTION 19: CONVENTION OF A BEARING

| ADD MORE DIMENSIONS | INSET BALL BEARING | USE STANDARD SCREW THREAD | REVISION DESCRIPTION | No. |
|---------------------|--------------------|---------------------------|----------------------|-----|
| 3 | | | | |
| | | | | |
| | | | | |

QUESTION 19: CONVENTION OF A BEARING

| ADD MORE DIMENSIONS | INSET BALL BEARING | USE STANDARD SCREW THREAD | REVISION DESCRIPTION | No. |
|---------------------|--------------------|---------------------------|----------------------|-----|
| 3 | | | | |
| | | | | |
| | | | | |

QUESTION 2: ISOMETRIC DRAWING

Given:

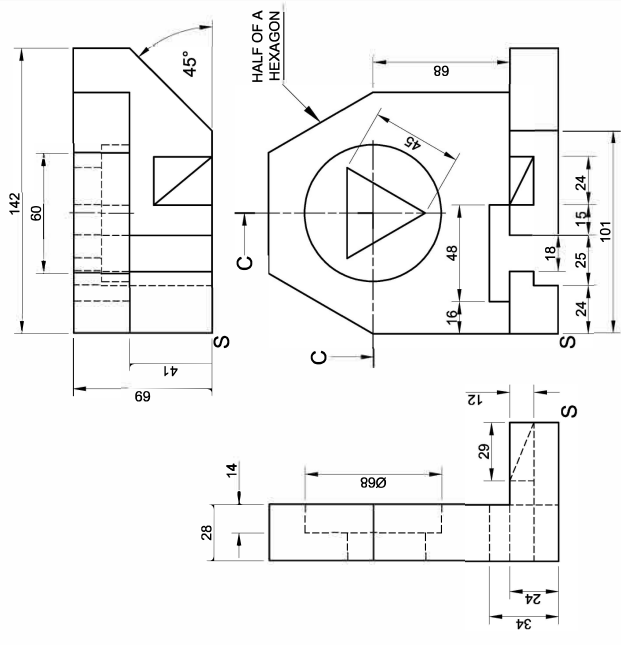
- The front view, top view and left view of a GUIDE.
- The position of point S on the drawing sheet

Instructions:

Using scale of 1 : 1, convert the given orthographic views of this GUIDE into a sectional isometric drawing on cutting plane C-C.

- Use point S as the starting and lowest point for this drawing.
- Show ALL construction.
- NO hidden detail is required.

[39]



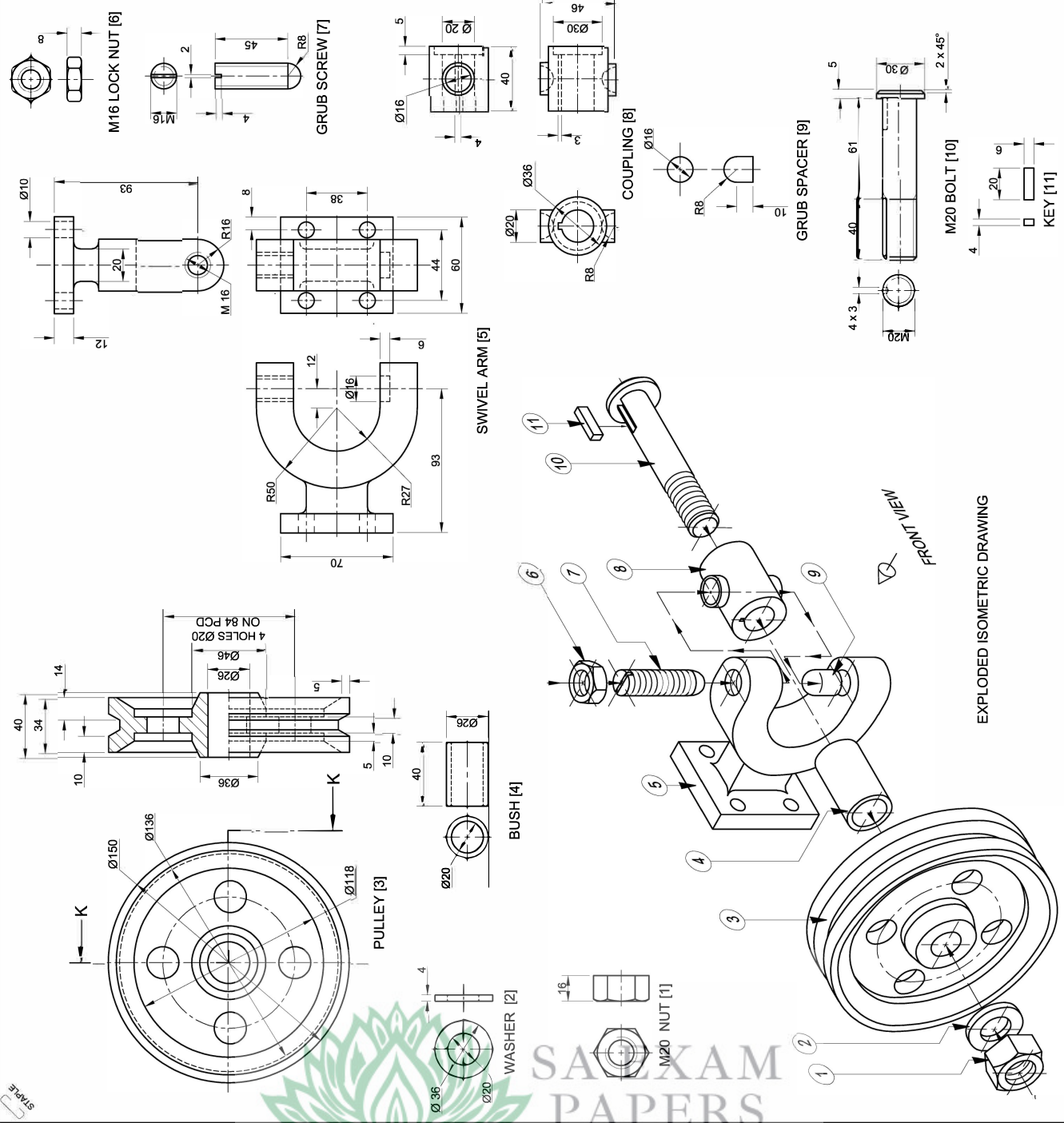
→ S

ASSESSMENT CRITERIA

| | | |
|------------------|------------------------------------|-----------|
| 1 | AUX VIEW AND PLACING | 3 |
| 2 | BASE | 13 1/2 |
| 3 | UPRIGHT | 8 1/2 |
| 4 | SECTION AND HATCHING | 7 |
| 5 | ISOMETRIC CIRCLES AND CENTRE LINES | 7 |
| PENALTIES (-) | | |
| TOTAL | | 39 |
| SURNAME AND NAME | | |
| SURNAME AND NAME | | 3 |

Please turn over





QUESTION 3: MECHANICAL ASSEMBLY

Given:

- The exploded isometric drawing of the parts of a pulley assembly, showing the position of each part relative to all the others
- Orthographic views of each of the parts of the pulley assembly

Instructions:

- Answer this question on page 5.
- Draw, to scale 1 : 1 and in third-angle orthographic projection, the following views of the assembled parts of the pulley assembly:
 - A half sectional front view on cutting plane K-K. Show the top half in section, as seen from the direction of the arrow in the exploded isometric drawing. The cutting plane is shown on the left view of the pulley (part 3).

3.2 The left view.

NOTE:

- Planning is essential.
- The drawing must comply with the SANS 10111 guidelines.
- The convention of symmetry may NOT be applied.
- Show THREE faces of the M20 nut (part 1) on the half sectional front view.
- Show TWO faces of the M16 lock nut (part 6) on the half sectional front view..
- NO hidden detail is required.

[91]

LIST OF PARTS

| PART | QUANTITY | MATERIAL |
|-----------------|----------|----------------|
| 1. M20 NUT | 1 | MILD STEEL |
| 2. WASHER | 1 | MILD STEEL |
| 3. PULLEY | 1 | MILD STEEL |
| 4. BUSH | 1 | BRASS |
| 5. SWIVEL ARM | 1 | MILD STEEL |
| 6. M16 LOCK NUT | 1 | MILD STEEL |
| 7. GRUB SCREW | 1 | MILD STEEL |
| 8. COUPLING | 1 | MILD STEEL |
| 9. GRUB SPACER | 1 | BRASS |
| 10. M20 BOLT | 1 | MILD STEEL |
| 11. KEY | 1 | HARDENED STEEL |

KOMANI PROJECTS CC
 88 KLIPPLAAT STREET
 KOMANI 5320
 www.komaniprojects.co.za
 031 818 0357

PULLEY ASSEMBLY

ALL DIMENSIONS ARE IN MILLIMETRES.
 ALL UNSPECIFIED RADII ARE R4.

