

SA's Leading Past Year

Exam Paper Portal

STUDY

You have Downloaded, yet Another Great Resource to assist you with your Studies 😊

Thank You for Supporting SA Exam Papers

Your Leading Past Year Exam Paper Resource Portal

Visit us @ [www.saexampapers.co.za](http://www.saexampapers.co.za)



SA EXAM  
PAPERS



<b>LEARNER NAME</b>	
---------------------	--

<b>GRADE</b>	
--------------	--

**NATIONAL SENIOR CERTIFICATE**

**MATHEMATICS P2**

**GRADE 12**

**TRIAL EXAMINATIONS 2015**

**SPECIAL ANSWER BOOK**

<b>QUESTION</b>	<b>MARK</b>	<b>INITIAL</b>	<b>MOD.</b>
1			
2			
3			
4			
5			
6			
7			
8			
9			
10			
11			
<b>TOTAL</b>			

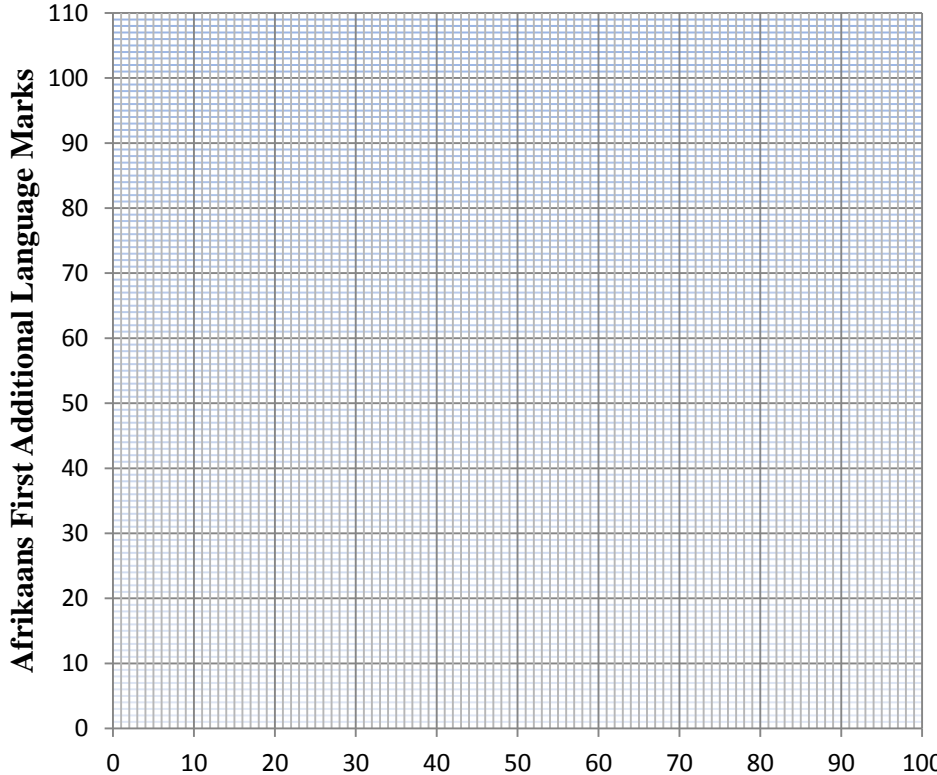


---

This answerbook consists of 17 pages.

---

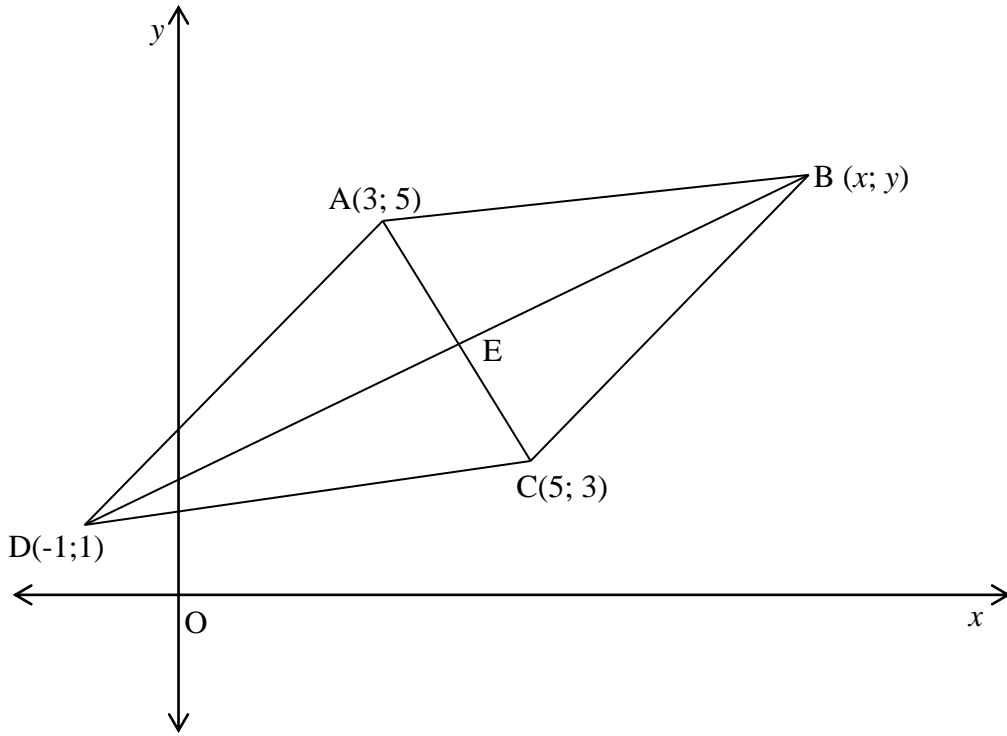
**QUESTION 1**

	<b>Solution</b>	<b>Marks</b>																						
1.1	<table border="1" data-bbox="252 342 1241 528"> <tr> <td>English HL</td> <td>42</td> <td>54</td> <td>85</td> <td>32</td> <td>63</td> <td>71</td> <td>92</td> <td>62</td> <td>58</td> <td>66</td> </tr> <tr> <td>Afrikaans FAL</td> <td>50</td> <td>58</td> <td>80</td> <td>45</td> <td>60</td> <td>65</td> <td>98</td> <td>75</td> <td>71</td> <td>58</td> </tr> </table> <div data-bbox="252 528 1257 1458"> <p style="text-align: center;"><b>Scatter Plot for English HL and Afrikaans FAL Marks</b></p>  </div>	English HL	42	54	85	32	63	71	92	62	58	66	Afrikaans FAL	50	58	80	45	60	65	98	75	71	58	
English HL	42	54	85	32	63	71	92	62	58	66														
Afrikaans FAL	50	58	80	45	60	65	98	75	71	58														
		(4)																						
1.2																								
1.3		(3)																						
1.4		(2)																						
		(1)																						
1.5																								
		(2)																						
		<b>[12]</b>																						

**QUESTION 2**

	<b>Solution</b>	<b>Marks</b>
2.1		
		(3)
2.2.1		
		(1)
2.2.2		
		(2)
2.2.3		
		(2)
2.3		
		(2)
		<b>[10]</b>

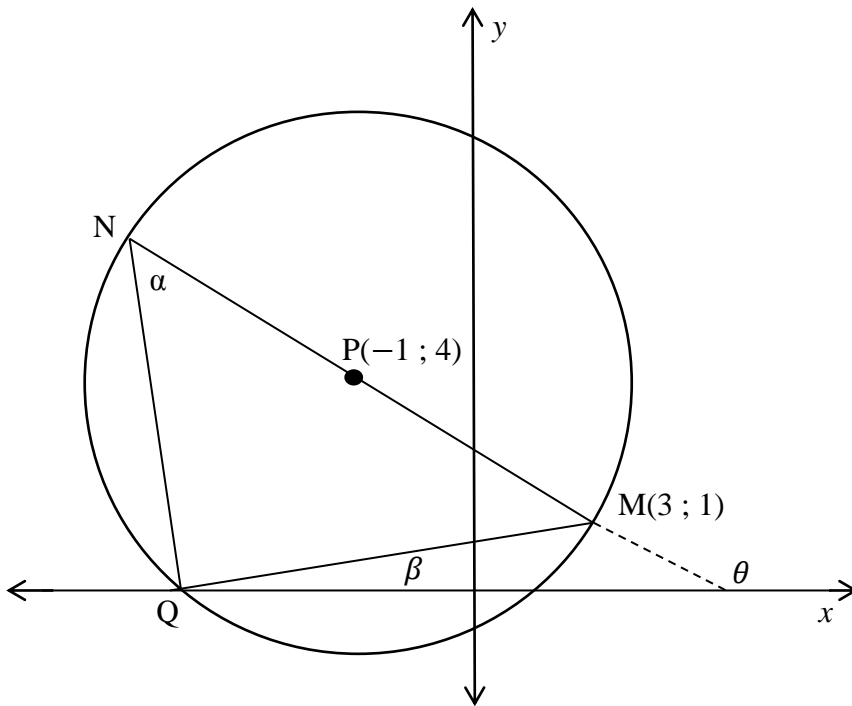
**QUESTION 3**



Solution		Marks
3.1	3.1.1	
		(2)
	3.1.2	
		(3)
	3.1.3	
		(5)

3.2		
		(4)
3.3		
		(5)
		<b>[19]</b>

QUESTION 4



	Solution	Marks
4.1		(4)
4.2		(1)
4.3		(3)
4.4		(2)

4.5		
	(5)	
4.6		
	(5)	
	[20]	



## QUESTION 5

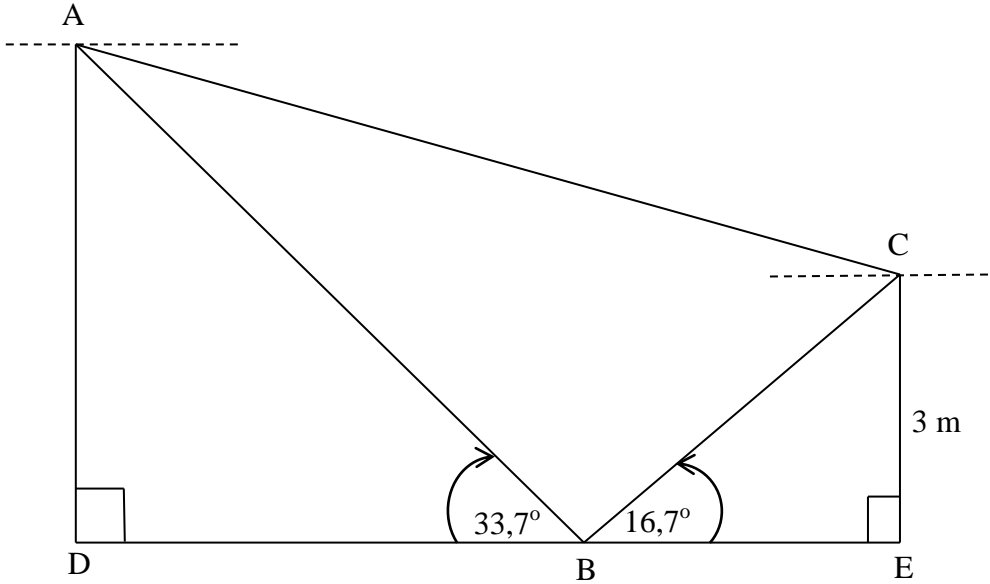
	Solution	Marks
5.1		
5.2		(4)
5.3		(7)
		(3)

5.4		
		(6)
		[20]

**QUESTION 6**

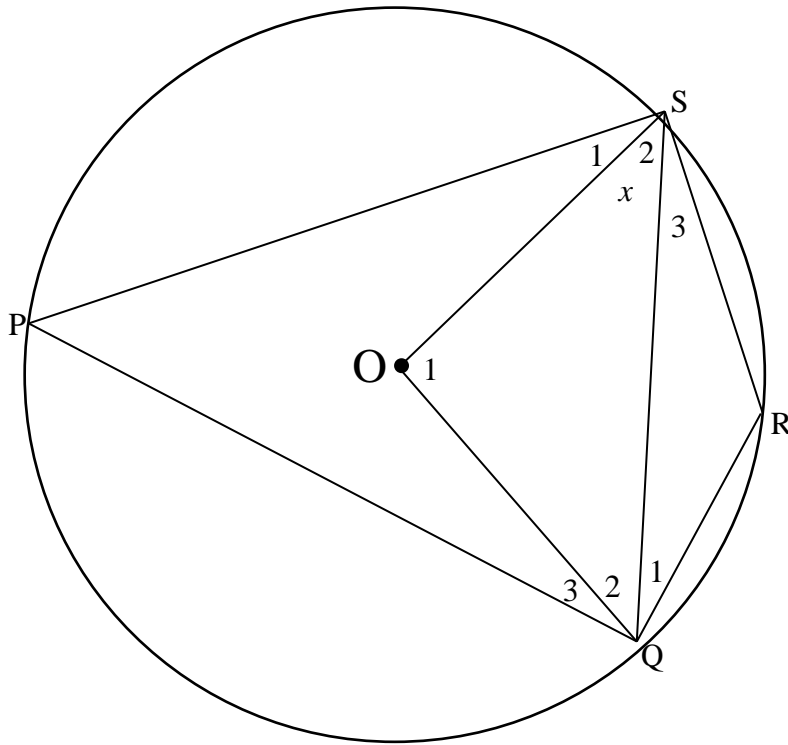
Solution		Marks
6.1		
		(1)
6.2		
		(6)
6.3	6.3.1	
		(2)
	6.3.2	
		(2)
6.4		
		(2)
		<b>[13]</b>

QUESTION 7

	Solution	Marks
7.1		
	<hr/> <hr/> <hr/> <hr/> <hr/> <hr/> <hr/> <hr/>	(3)

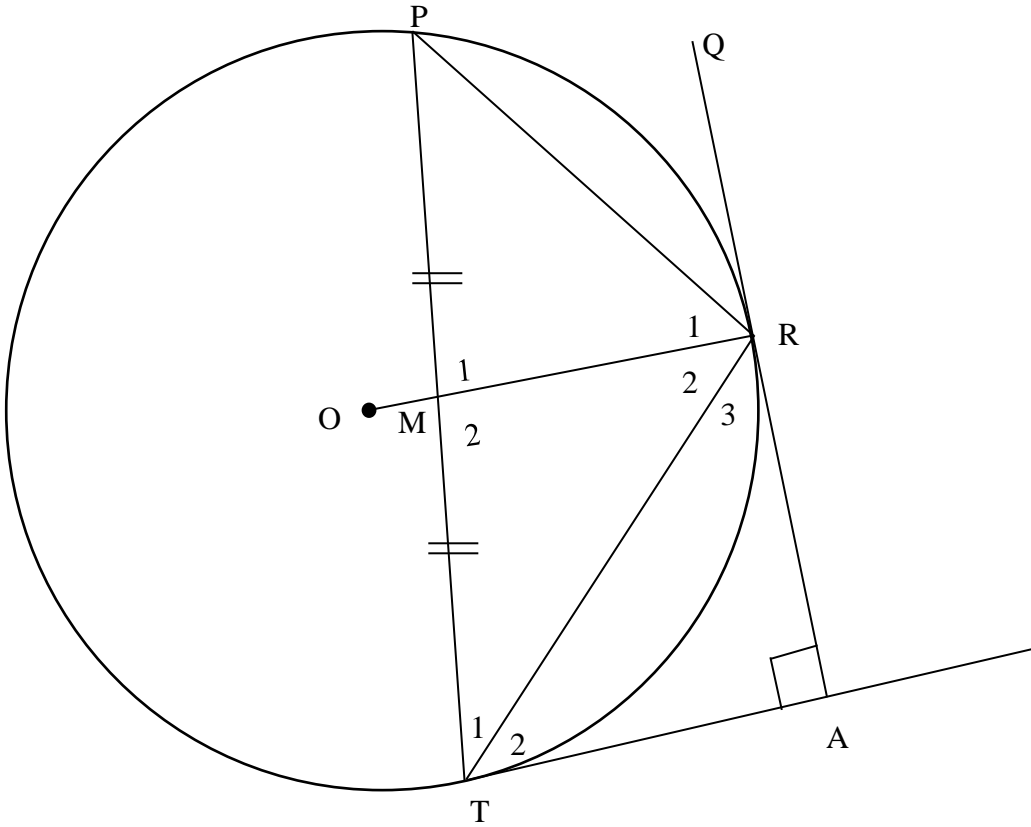
7.2		
		(3)
7.3		
		(3)
		<b>[9]</b>

**QUESTION 8**



		<b>Solution</b>	<b>Marks</b>
8.1	8.1.1		
			(2)
	8.1.2		
			(2)
	8.1.3		
			(2)
8.2			
			(3)
			<b>[9]</b>

QUESTION 9



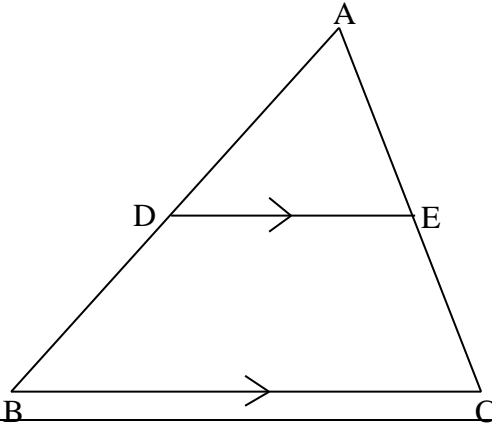
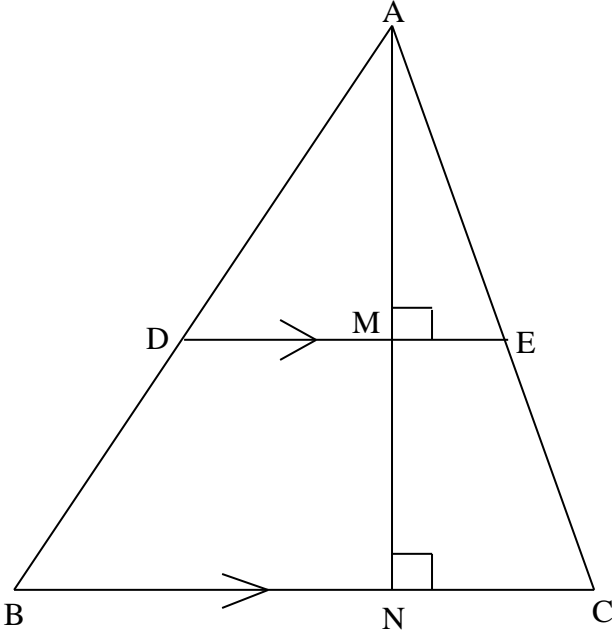
	Solution	Marks
9.1		
		(4)
9.2		
		(5)
9.3		
		(3)
		[12]

**QUESTION 10**

Solution		Marks
10.1		
		(1)
10.2		
	10.2.1	
		(3)
	10.2.2	
		(3)
	10.2.3	
		(4)
		<b>[11]</b>



QUESTION 11

	Solution	Marks
11.1		
		(6)
11.2		
11.2.1		
		(2)

	11.2.2		
		(4)	
	11.2.3		
		(3)	
		[15]	
		<b>TOTAL: 150</b>	















