

SA's Leading Past Year

Exam Paper Portal

STUDY

You have Downloaded, yet Another Great Resource to assist you with your Studies 😊

Thank You for Supporting SA Exam Papers

Your Leading Past Year Exam Paper Resource Portal

Visit us @ [www.saexampapers.co.za](http://www.saexampapers.co.za)



SA EXAM  
PAPERS



**LEERDER NAAM EN VAN**

**GRAAD**

**NASIONALE SENIOR SERTIFIKAAT**

**WISKUNDE V2**

**GRAAD 12**

**VOORBEREIDENDE EKSAMEN 2015**

**SPESIALE ANTWOORDEBOEK**

<b>VRAAG</b>	<b>PUNT</b>	<b>PARAFEER</b>	<b>MOD.</b>
<b>1</b>			
<b>2</b>			
<b>3</b>			
<b>4</b>			
<b>5</b>			
<b>6</b>			
<b>7</b>			
<b>8</b>			
<b>9</b>			
<b>10</b>			
<b>11</b>			
<b>TOTAAL</b>			

---

Hierdie antwoordeboek bestaan uit 17 bladsye.

---



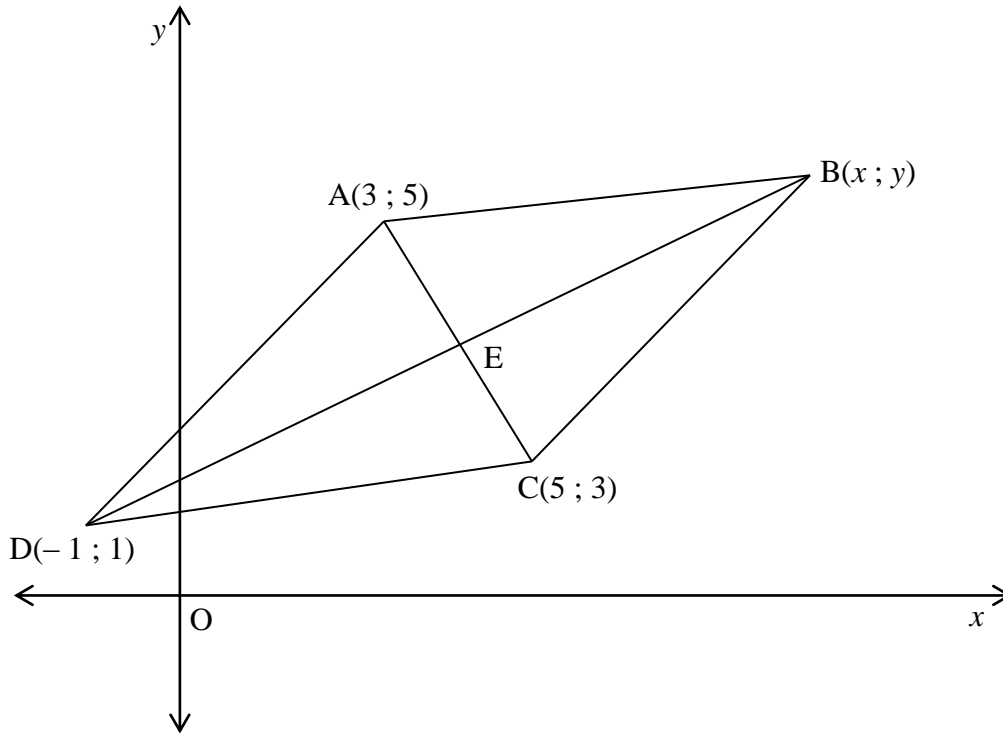
## VRAAG 1

	Oplossing										Punte																						
1.1	<table border="1"> <tr> <td>Engels HT</td> <td>42</td> <td>54</td> <td>85</td> <td>32</td> <td>63</td> <td>71</td> <td>92</td> <td>62</td> <td>58</td> <td>66</td> </tr> <tr> <td>Afrikaans EAT</td> <td>50</td> <td>58</td> <td>80</td> <td>45</td> <td>60</td> <td>65</td> <td>98</td> <td>75</td> <td>71</td> <td>58</td> </tr> </table>										Engels HT	42	54	85	32	63	71	92	62	58	66	Afrikaans EAT	50	58	80	45	60	65	98	75	71	58	
Engels HT	42	54	85	32	63	71	92	62	58	66																							
Afrikaans EAT	50	58	80	45	60	65	98	75	71	58																							
	<p style="text-align: center;"><b>Spreidiagram vir Engels HT en Afrikaans EAT Punte</b></p>																																
											(4)																						
1.2																																	
											(3)																						
1.3																																	
											(2)																						
1.4																																	
											(1)																						
1.5																																	
											(2)																						
											[12]																						

VRAAG 2

	Oplossing	Punte
2.1		
		(3)
2.2.1		
		(1)
2.2.2		
		(2)
2.2.3		
		(2)
2.3		
		(2)
		<b>[10]</b>

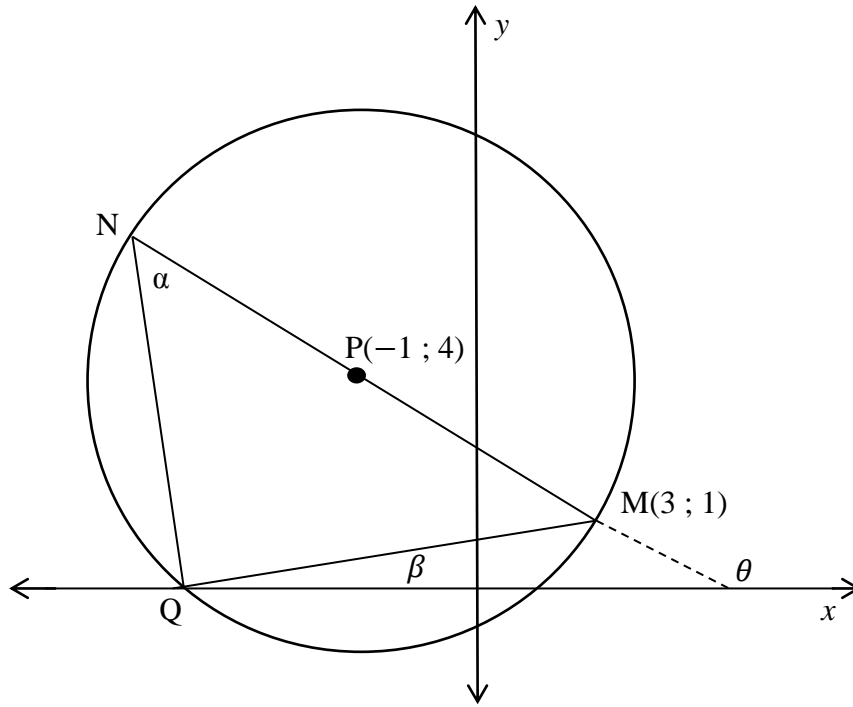
VRAAG 3



Oplossing		Punte
3.1	3.1.1	
		(2)
	3.1.2	
		(3)
	3.1.3	
		(5)

3.2		
		(4)
3.3		
		(5)
		[19]

VRAAG 4



	Oplossing	Punte
4.1		
		(4)
4.2		
		(1)
4.3		
		(3)
4.4		
		(2)

4.5		
		(5)
4.6		
		(5)
		[20]



## VRAAG 5

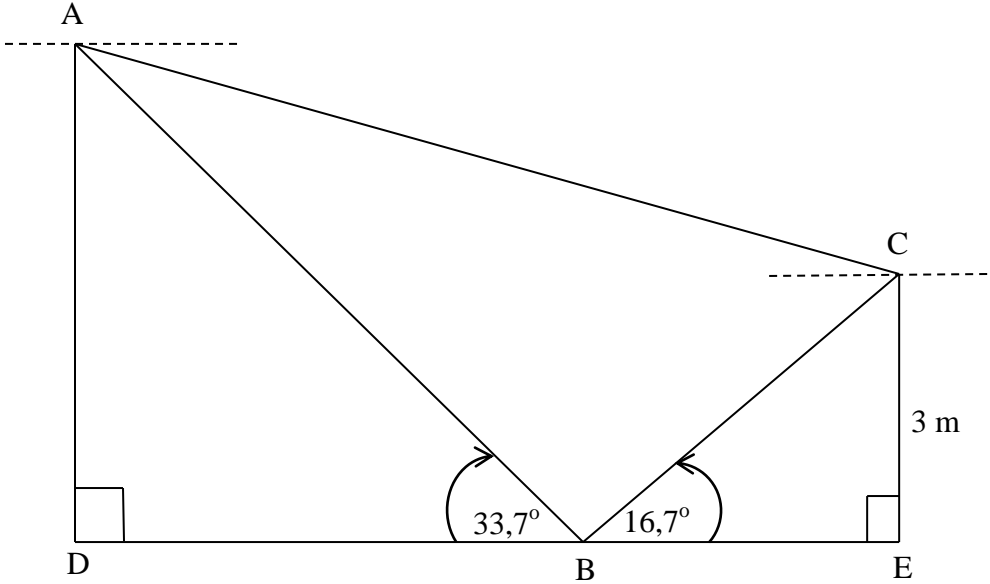
	Oplossing	Punte
5.1		
		(4)
5.2		
		(7)
5.3		
		(3)

5.4		
		(6)
		[20]

## VRAAG 6

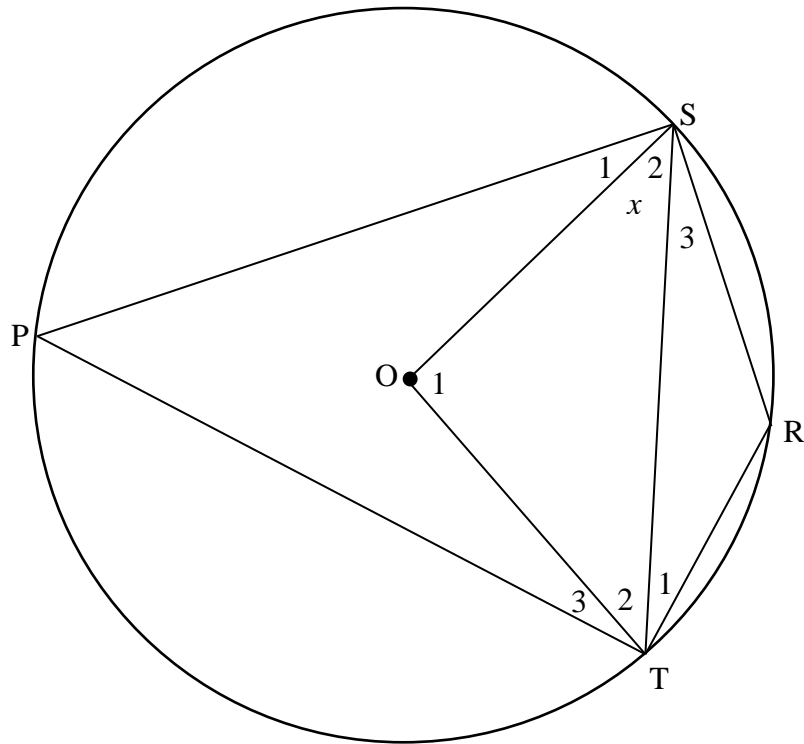
		Oplossing	Punte
6.1			
			(1)
6.2			
			(6)
6.3	6.3.1		
			(2)
	6.3.2		
			(2)
6.4			
			(2)
			[13]

VRAAG 7

	Oplossing	Punte
7.1		
		(3)

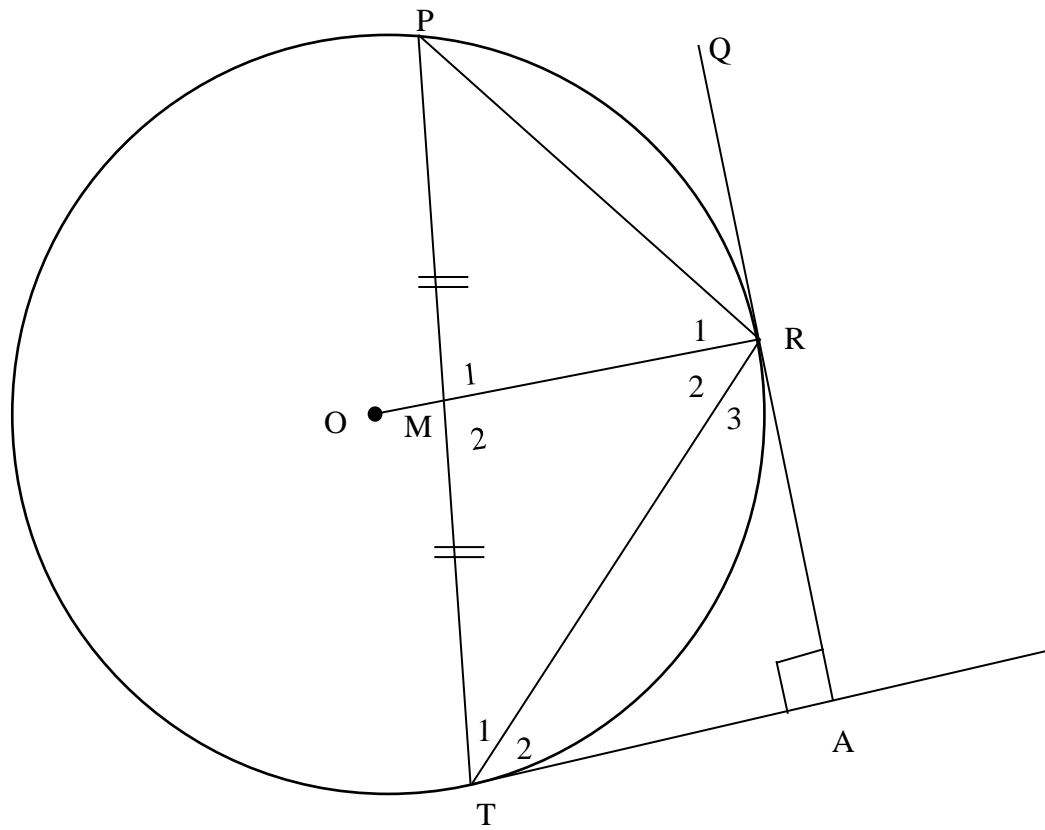
7.2		
		(3)
7.3		
		(3)
		<b>[9]</b>

VRAAG 8



Oplossing		Punte
8.1	8.1.1	
		(2)
8.1.2		
		(2)
8.1.3		
		(2)
8.2		
		(3)
		[9]

VRAAG 9



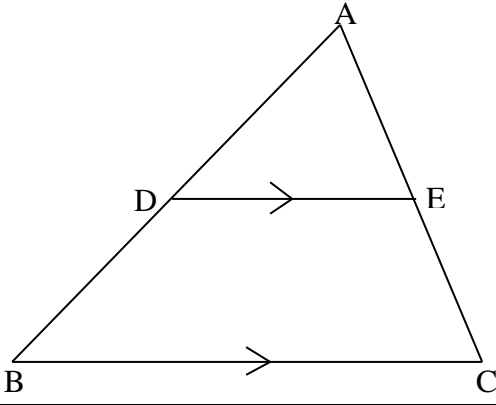
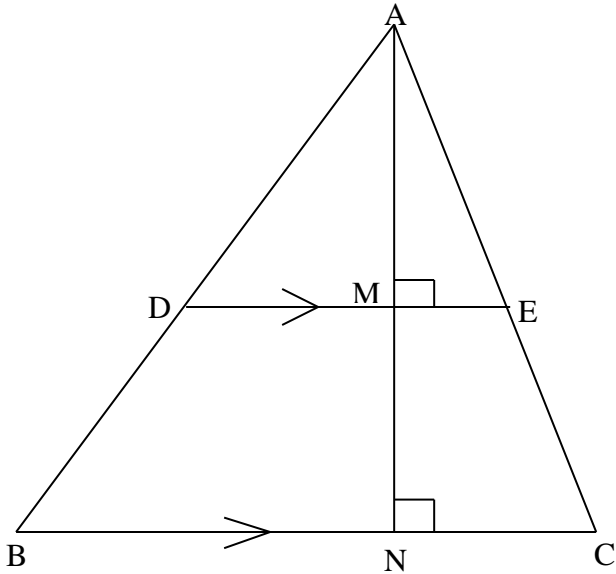
	Oplossing	Punte
9.1		
		(4)
9.2		
		(5)
9.3		
		(3)
		[12]

VRAAG 10

Oplossing		Punte
10.1		
		(1)
10.2		
10.2.1		
		(3)
10.2.2		
		(3)
10.2.3		
		(4)
		[11]



VRAAG 11

	Oplossing	Punte
11.1		
		(6)
11.2		
11.2.1		
		(2)

